

IWT Series

Fiberglass Oil/Water Separators

Pan America Environmental IWT Series, fiberglass oil/water separators are a gravity/coalescing design for removal of free and finely dispersed oil droplets from various wastestreams. The use of our proprietary Flopak, cross-corrugated, oleophilic, coalescing media provides predictable oil removal through impingement coalescence while allowing solids settling without plugging. Performance: 10mg/L 30 micron free, dispersed and non-emulsified oil droplets. The IWT design is just one of 8 different oil/water separator designs from Pan America Environmental that can be used singularly or in combination with other treatment processes such as emulsion cracking, DAF & Slant Plate Clarifier pretreatment.

Full, turnkey systems can be provided with many types of options and custom configurations can be provided tailored to the particular project requirements or wastestream needs for flow rates up to 1400 GPM. Larger flow rates can be accommodated with our IWT Steel Series separators.

Features

- ◆ Fiberglass construction
- ◆ Integral oil storage
- ◆ Effluent pipe
- ◆ 20" manway access
- ◆ Manway extensions
- ◆ Hold down straps
- ◆ Influent diffuser
- ◆ Cast iron cover sets
- ◆ Flopak coalescing media
- ◆ Corrosion free

Options (partial)

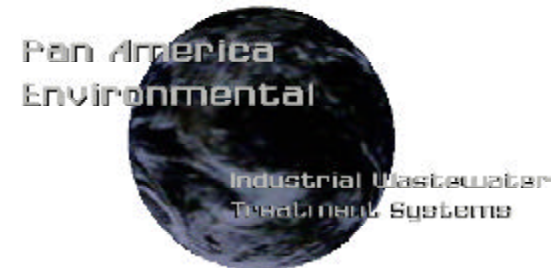
- ◆ Influent/effluent/oil pumping systems
- ◆ High level alarm
- ◆ Custom extension lengths
- ◆ Hi-temp upgrade
- ◆ Steel construction
- ◆ High oil level alarm
- ◆ Above grade designs
- ◆ Additional fittings

Applications

- ◆ Groundwater remediation
- ◆ Compressor condensate
- ◆ Refueling depot runoff
- ◆ Machining coolant oil removal
- ◆ Vehicle washwater treatment
- ◆ Oil spill recovery
- ◆ Bilge/ballast water treatment
- ◆ Stormwater runoff
- ◆ Mobile separation system
- ◆ Power plant water treatment
- ◆ Aircraft wash racks
- ◆ Tank farm tank bottoms
- ◆ R.O. Filter pre-treatment
- ◆ Trench water treatment
- ◆ DAF/clarifier pre-treatment
- ◆ Hydraulic fluid tank dewatering

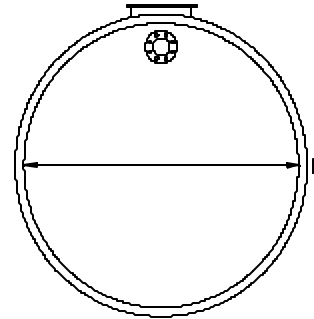
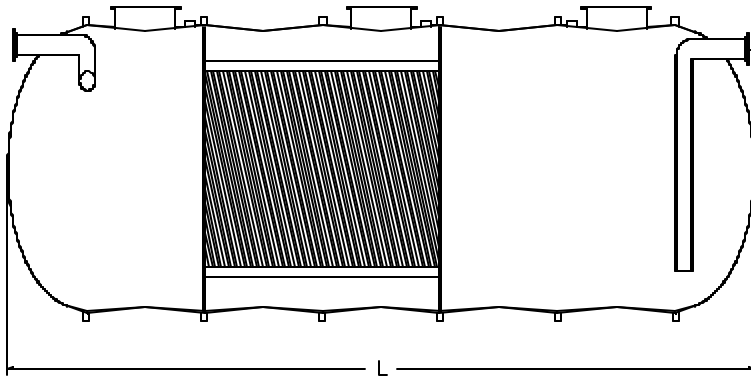


Flow Range 1-1400 GPM

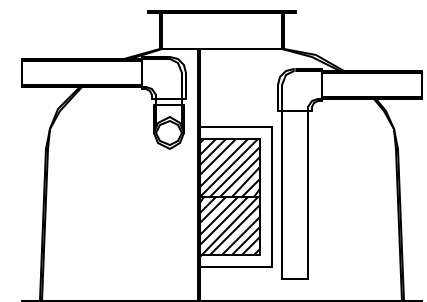
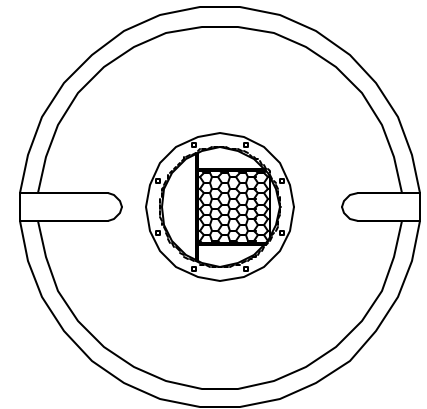


950 N. Rand Rd., Ste 120 Wauconda, IL 60084 USA
847-487-9166 Fax: 847-487-9218 panam@panamenv.com
<http://www.panamenv.com>

IWT Series Fiberglass Oil/Water Separators

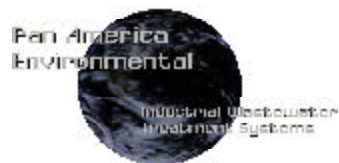


IWT350



| Model | L | D | GPM | Model | L | D | GPM |
|---------|--------|-------|-----|----------|---------|-------|------|
| IWT350 | - | 5'-0" | 10 | IWT2850 | 21'-11" | 5'-0" | 280 |
| IWT500 | 6'-8" | 4'-0" | 25 | IWT3150 | 24'-0" | 5'-0" | 315 |
| IWT750 | 7'-1" | 5'-0" | 50 | IWT3600 | 12'-6" | 8'-0" | 360 |
| IWT1050 | 9'-1" | 5'-0" | 100 | IWT5300 | 17'-0" | 8'-0" | 500 |
| IWT1350 | 11'-1" | 5'-0" | 130 | IWT7000 | 21'-6" | 8'-0" | 675 |
| IWT1650 | 13'-1" | 5'-0" | 150 | IWT8600 | 26'-0" | 8'-0" | 825 |
| IWT1950 | 15'-1" | 5'-0" | 190 | IWT10000 | 30'-6" | 8'-0" | 975 |
| IWT2250 | 17'-1" | 5'-0" | 220 | IWT12000 | 35'-0" | 8'-0" | 1100 |
| IWT2550 | 19'-1" | 5'-0" | 250 | IWT14000 | 39'-6" | 8'-0" | 1400 |

Information not for construction Design & dimensions may change without notice Flow rates are nominal



950 N. Rand Rd., Ste 120 Wauconda, IL 60084 USA 847-487-9166 Fax: 847-487-9218
 panam@panamenv.com <http://www.panamenv.com>